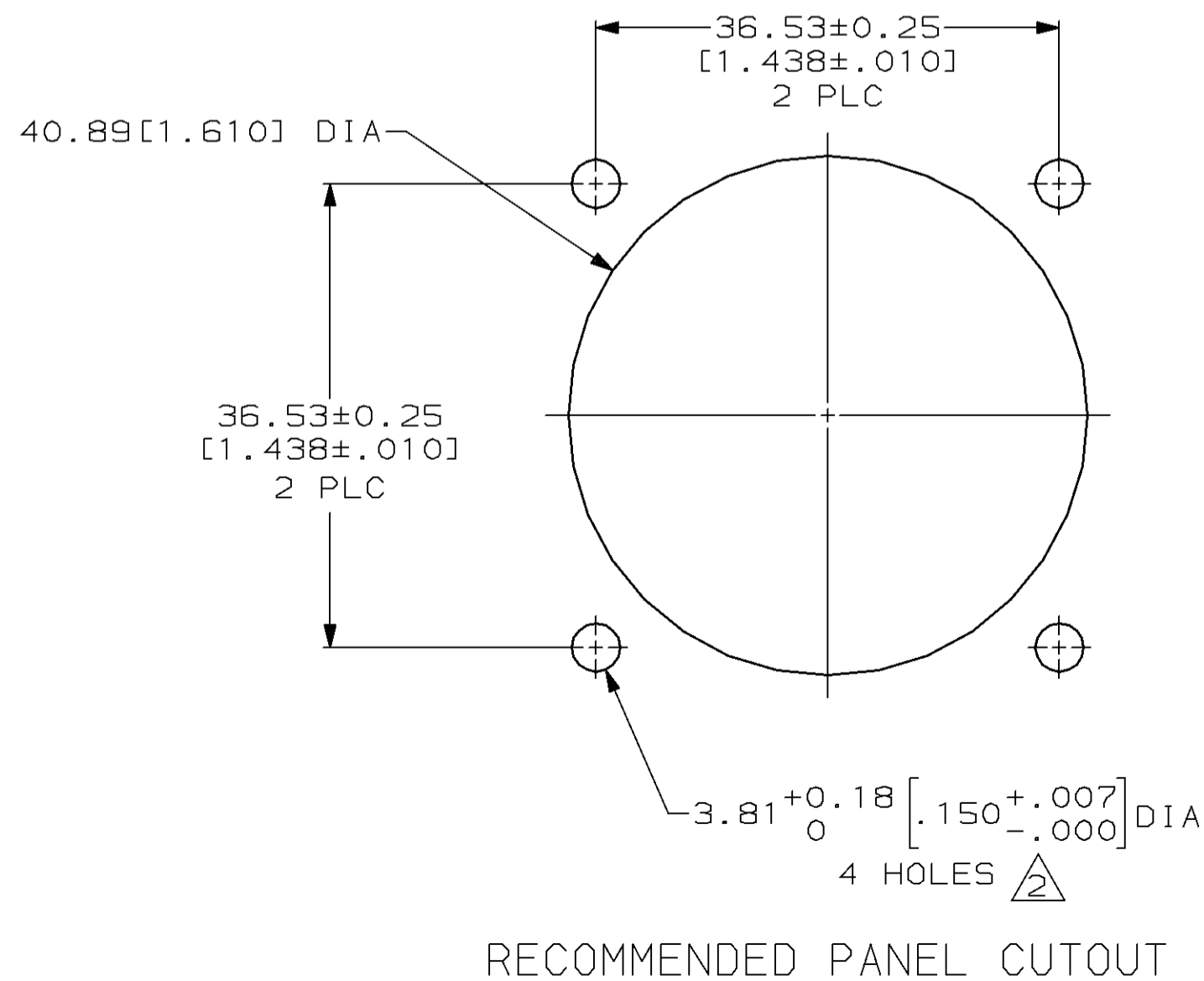
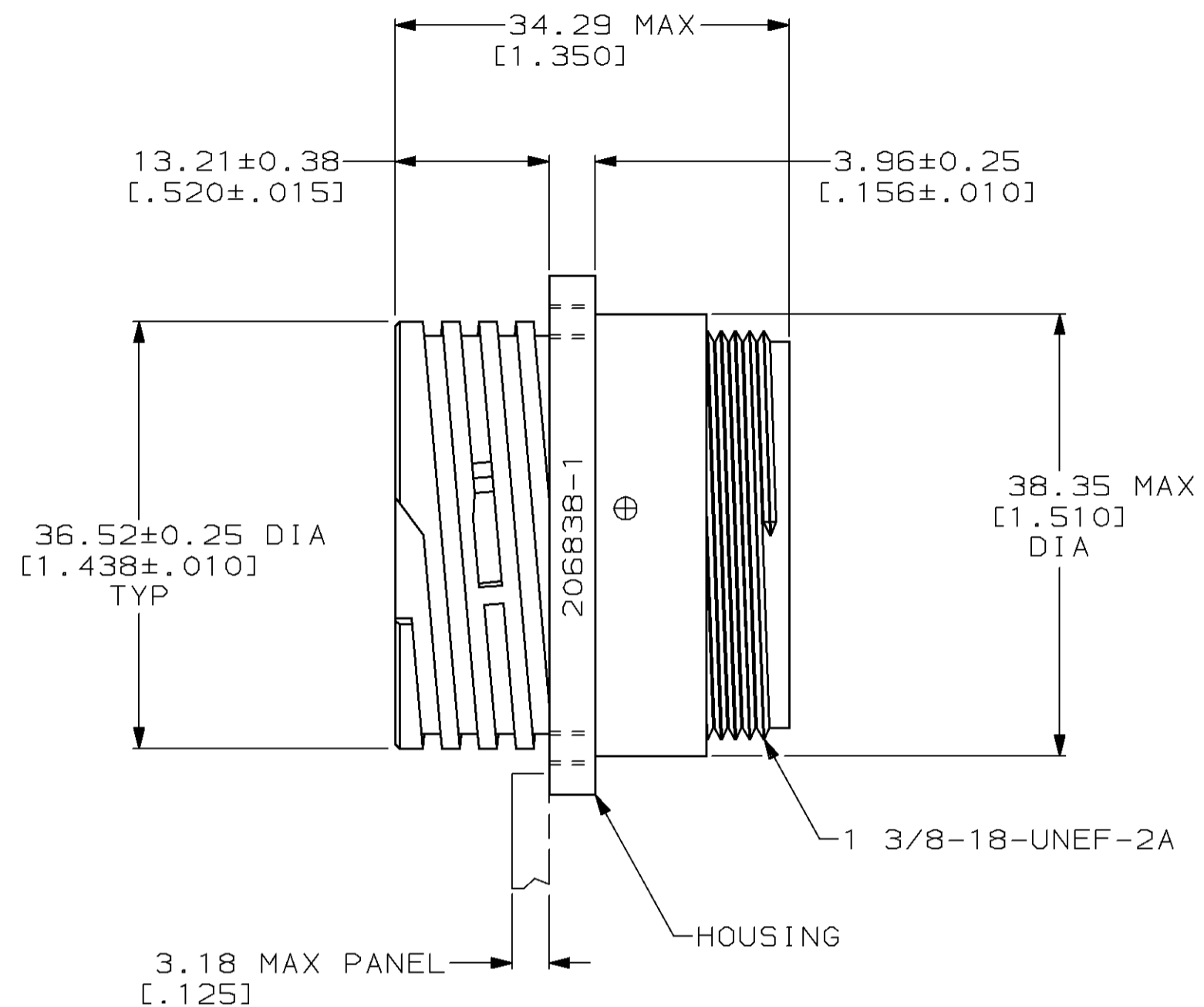
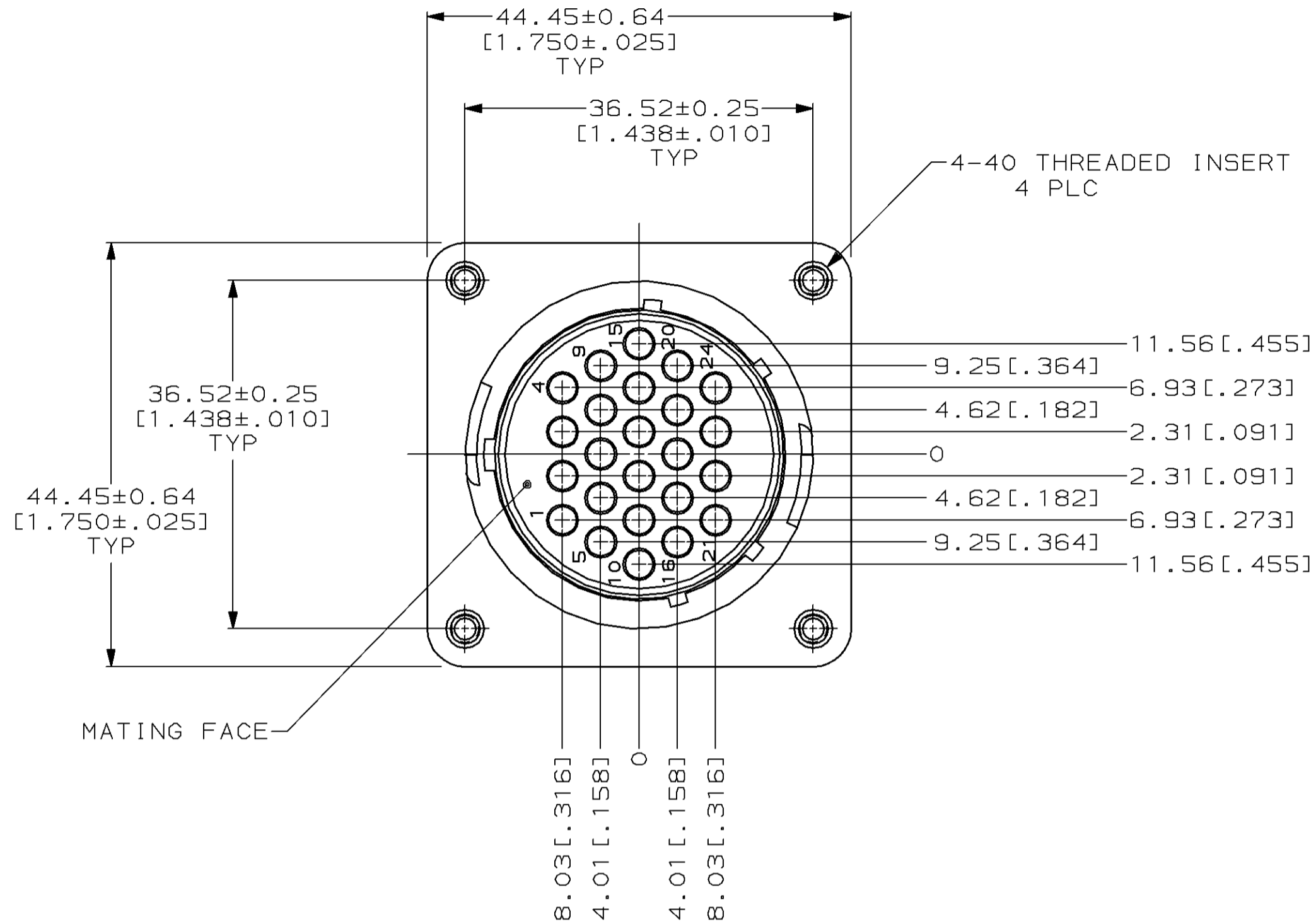


THIS DRAWING IS UNPUBLISHED. RELEASED FOR PUBLICATION  
 BY AMP INCORPORATED. ALL RIGHTS RESERVED.

| Loc | DIST | REVISIONS   |   |           |      |   |
|-----|------|-------------|---|-----------|------|---|
| P   | LTR  | DESCRIPTION | DATE  | DWN       | APVD |   |
| BD  | 35   | B           | REDRAWN WITHOUT CHANGE AND REACTIVATED -1 PER EC 0020-69-96 | 01 FEB 96 | -    | - |



- ① HOUSING: NYLON, BLACK.  
INSERT: BRASS.
- ② NUMBER 4 FASTENER RECOMMENDED FOR MOUNTING.
- 3. CAVITY IDENTIFICATION ON FRONT AND REAR FACE.
- 4. WILL ACCEPT (24) MULTIMATE PIN CONTACTS.
- 5. MAXIMUM INSULATION NOT TO EXCEED 3.43 [.135] DIA.

211839-1  
PART NUMBER

|   |  |                                |  |
|---|--|--------------------------------|--|
| THIS DRAWING IS A CONTROLLED DOCUMENT FOR AMP INCORPORATED. IT IS SUBJECT TO CHANGE AND THE CONTROLLING ENGINEERING ORGANIZATION SHOULD BE CONTACTED FOR THE LATEST REVISION. |  | DWN<br>D.HARDY<br>01 FEB 96    | AMP Incorporated<br>Harrisburg, PA 17105-3608  |
| DIMENSIONS:<br>mm [INCHES]  |  | CHK<br>R.STONE<br>02 FEB 96    |  |
| TOLERANCES UNLESS OTHERWISE SPECIFIED:  |  | APVD<br>A.FRANTUM<br>02 FEB 96 | NAME<br>RECEPTACLE ASSEMBLY, WITH<br>THREADED INSERTS, SHELL SIZE 23,<br>STANDARD SEX, CPC |
| 0 PLC ±-  |  | PRODUCT SPEC<br>108-10024      | SIZE<br>A2   |
| 1 PLC ±-  |  | APPLICATION SPEC<br>114-10038  | CAGE CODE<br>00779   |
| 2 PLC ±0.13 [.005]  |  | WEIGHT<br>-                    | DRAWING NO<br>C-211839   |
| 3 PLC ±-  |  | CUSTOMER DRAWING               | SCALE<br>2:1   |
| 4 PLC ±-  |  |                                | SHEET<br>1 OF 1  |
| ANGLES ±-   |  |                                | REV<br>B   |
| FINISH -  |  |                                |  |

211839